

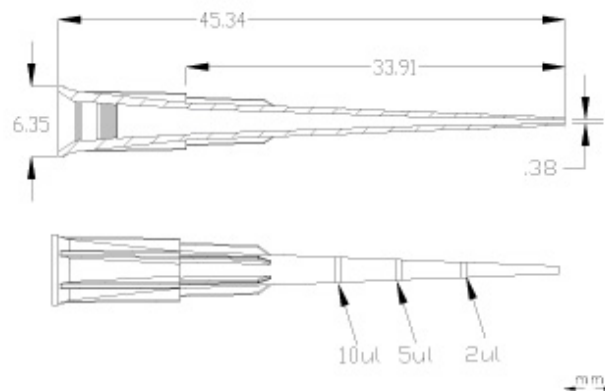


# Product Data Sheet

## SLS5032

### SLS Select Filter Tips

#### 10 µl (0.1 - 10 µl) LongReach



Catalog #	Description
SLS5032	Natural, Polypropylene, Low Binding

Packaging Type	Packaging Details
Racked Tips	Non-Sterile, 96 Tips/Rack, 10 Racks/Pack, 5 Packs/Case, Cell Rack

#### Attributes



**Volume Range:** 0.1-10 µl  
**Grad Lines:** 2, 5, 10 µl

Certified Human DNA Free  
Certified PCR Inhibitor Free  
Certified Pyrogen Free