

# DIAPHRAGM VACUUM PUMP LABOPORT® N 938.50 KT.18



## Technical features

- 100 % oil-free transfer – thereby pure transferring, evacuation and compression of gases
- Connecting both pump heads in parallel and in series ensures exceptionally fast evacuation
- PTFE-coated diaphragm is ideal for aggressive/ corrosive gases and vapors
- Environmentally friendly
- High level of gas tightness

## Technical data

|   |       |
|---|-------|
| Flow rate [m <sup>3</sup> /h] at atm. pressure        | 1.8   |
| Flow rate [l/min] at atm. pressure                    | 30    |
| Ultimate vacuum [mbar abs.]                           | 15    |
| Operating pressure [bar]                              | 0.5   |
| Voltage [V]   | 230   |
| Frequencies [Hz]                                      | 50    |
| Motor protection                                      | IP 20 |
| Power P <sub>1</sub> [W]                              | 110   |
| Operating current [A]                                 | 0.6   |
| With thermal switch and power fuse                    |       |
| Motors with other voltages and frequencies on request |       |

### MATERIALS

|           |             |
|-----------|-------------|
| Pump head | PPS         |
| Diaphragm | PTFE-coated |
| Valves    | FFPM        |

### OTHER DATA

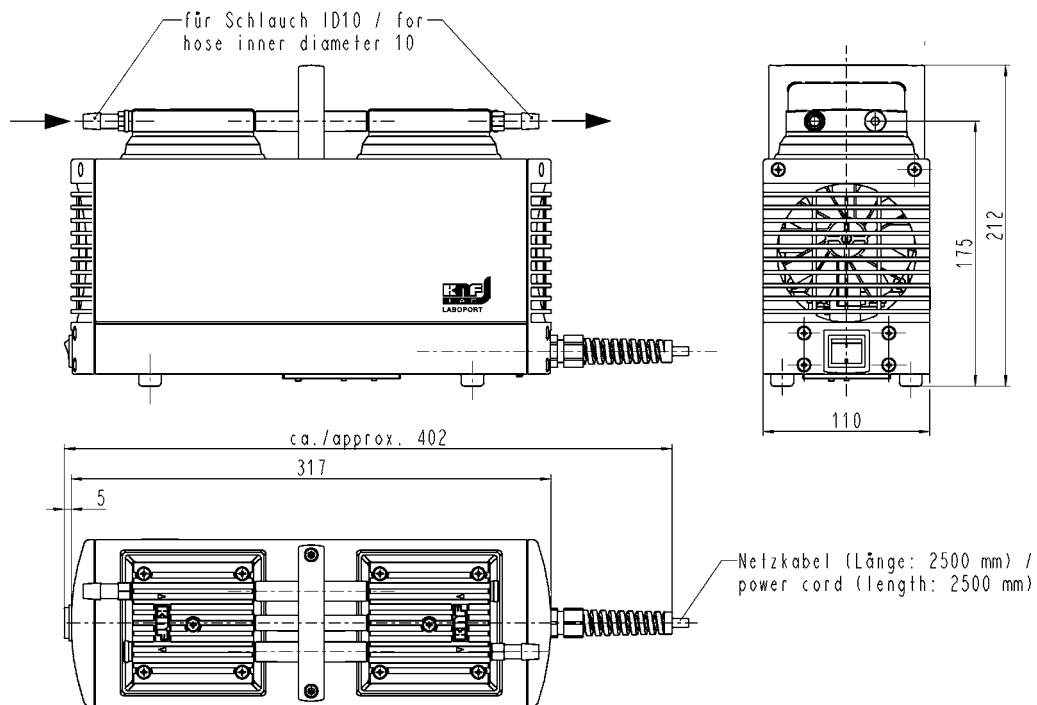
|  |                 |
|--|-----------------|
| Weight [kg]                                    | 6.8             |
| Hose connections                               | ID 10           |
| Dimensions W x H x D [mm]                      | 110 x 212 x 317 |
| Permissible media and ambient temperature [°C] | +5 ... +40      |

### ACCESSORIES

|                                      | ID     |
|--------------------------------------|--------|
| Silencer                             | 007006 |
| Hose connector G 1/8, ID 10, PVDF    | 112004 |
| Fine control valve with vacuum gauge | 112432 |
| Spares kit                           | 124809 |

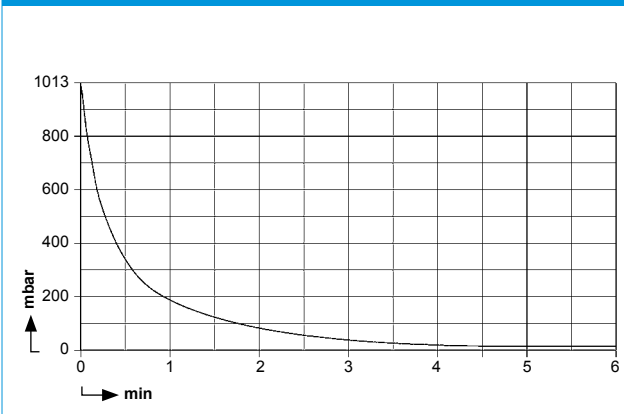
## Dimensions

N 938.50 KT.18



## Performance characteristics

PUMP DOWN TIME FOR 10 LITER VESSEL



FLOW CAPACITY

