

THIS DOCUMENT AND ALL INFORMATION THEREIN CONTAINED
 ARE OUR EXCLUSIVE PROPERTY. THE RECIPIENT AGREES
 NOT TO REPRODUCE COPY/USE OR TRANSMIT THIS DOCUMENT
 AND/OR THE INFORMATION THEREIN CONTAINED FOR
 ANY PURPOSE EXCEPT WITH OUR WRITTEN PERMISSION

DRAWING CREATED ISO STANDARDS

FUER DIESE ZEICHUNG BEHALTEN WIR
 UNS ALLE RECHTE NACH DIN 34 FÜR

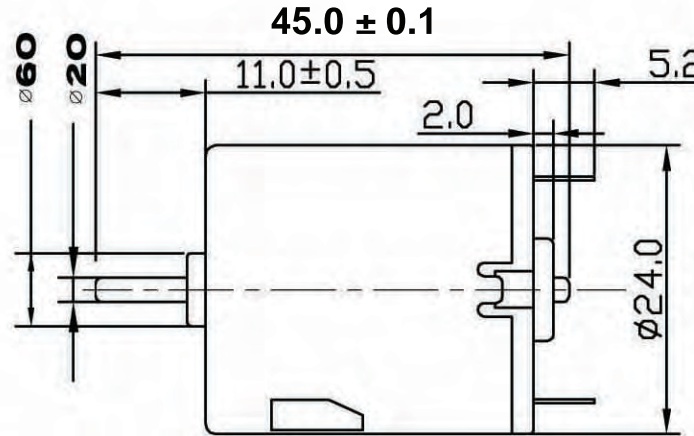
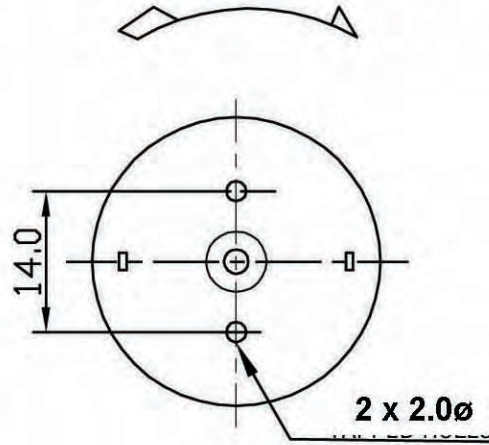
版次: A

未注公差			圆角半径和倒角高度		
0~6	6~30	30~120	0~3	3~6	6~30
±0.06	±0.1	±0.2	±0.2	±0.5	±0.8

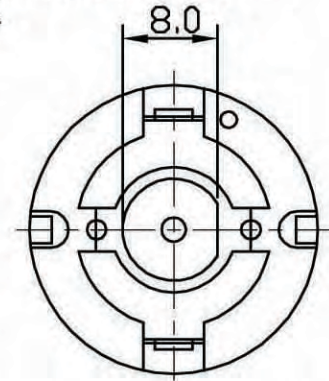
MODEL: HS-RE280-2865 (ROHS)

VOLTAGE: 3.0 VDC

DIRECTION OF ROTATION



两端子间加恒定电压



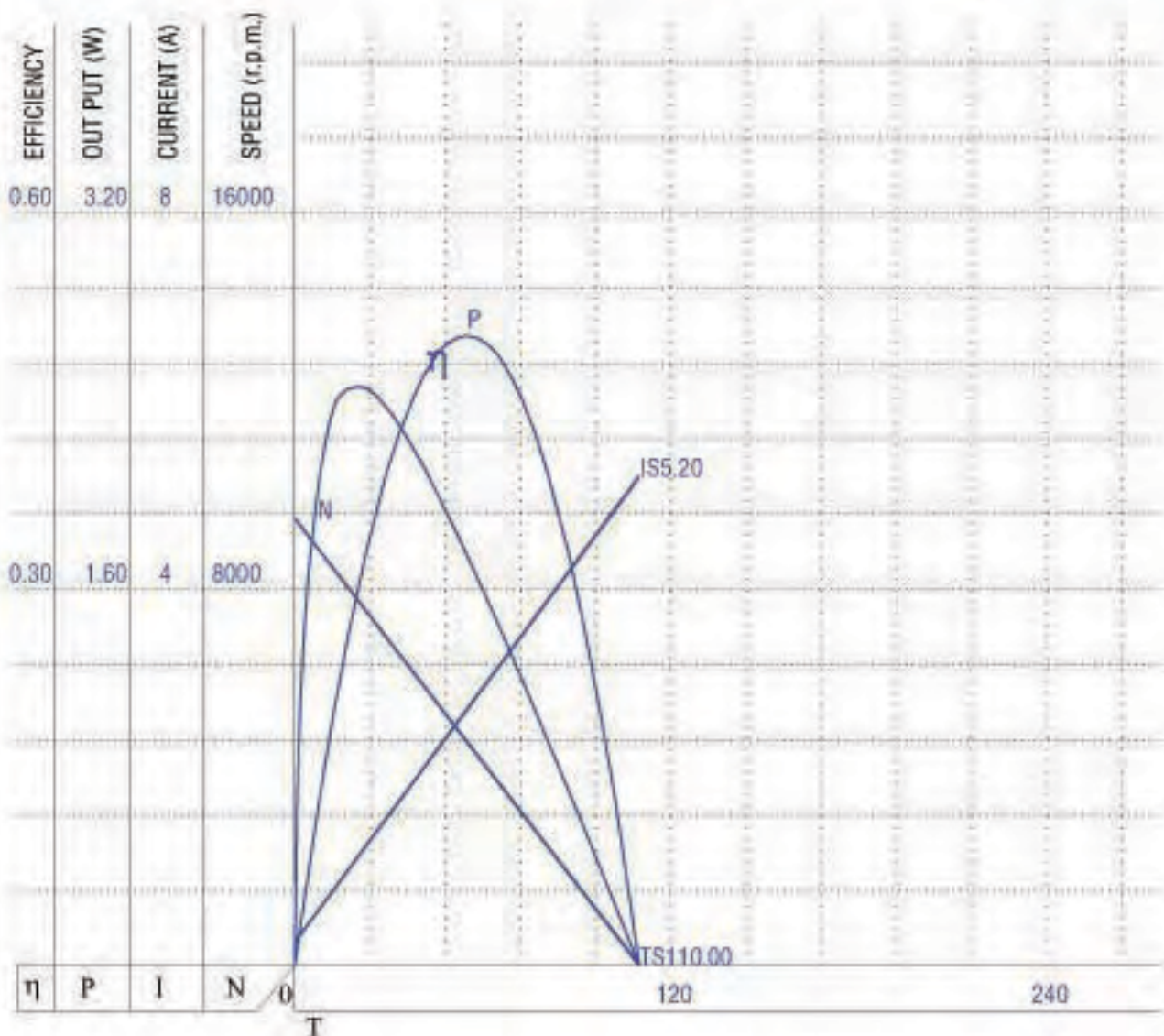
TITLE: 外形装配图	A4	DRAWER:	
MATERIAL:		CHECKER:	
MODEL: R280		APPROVER:	
DO NOT SCALE THE DAWING			
DRAWING NO.: A080406-1			

MODEL: HS-RE280 -2865 (ROHS)

VOLTAGE: 3.00 VDC

LENGTH OF SHAFT (A): 45.0 mm (±0.1)	FRONT EXTENSION (B): 11.0mm (±0.5)	NOISE:60 1/2 dBA / inch(Max)
---------------------------------------	--------------------------------------	-------------------------------

NO LOAD		LOAD EFFICIENCY(APPROX)					STALL	
SPEED (r.p.m.)	CURRENT (A)	SPEED (r.p.m.)	CURRENT (A)	TORQUE (g.cm)	OUT PUT (W)	EFFICIENCY (%)	CURRENT (A)	TORQUE (g.cm)
9500 ±10%	0.25 MAX.	7790	1.14	19.91	1.58	46.21	5.20 MAX.	110.00 MIN.



CUSTOMER	A080406-1	REVISION	A	DATE	2008-04-06
DRAWN BY		CHECKED BY		APPROVED BY	