

THIS DOCUMENT AND ALL INFORMATION THEREIN CONTAINED
 ARE OUR EXCLUSIVE PROPERTY. THE RECIPIENT AGREES
 NOT TO REPRODUCE, COPY, USE OR TRANSMIT THIS DOCUMENT
 AND/OR THE INFORMATION THEREIN CONTAINED FOR
 ANY PURPOSE, EXCEPT WITH OUR WRITTEN PERMISSION

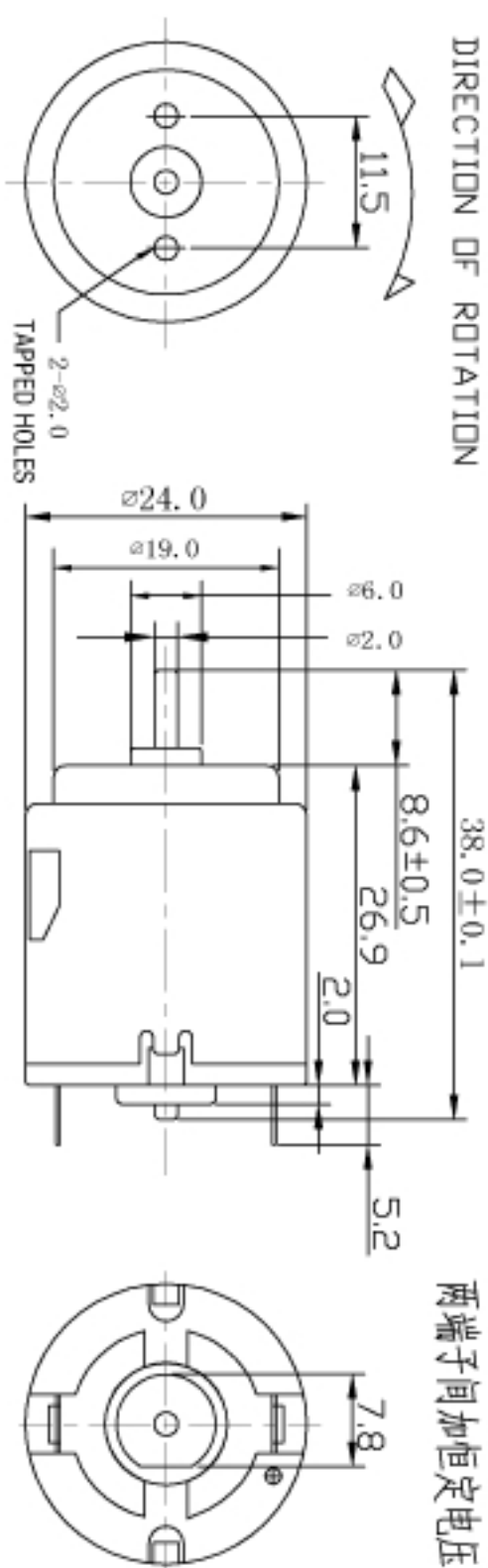
DRAWING CREATED ISO STANDARDS

FÜR DIESE ZEICHNUNG BEHALTEN WIR
 UNS ALLE RECHTE NACH DIN 34 FÜR

版次: A

MODEL: HS-RE260-18130(RDHS)

VOLTAGE: 15 VDC



两端子间加恒定电压

本图公差		圆角半径和倒角高度			
0-6	6-30	30-120	0-3	3-6	6-30
±0.06	±0.1	±0.2	±0.2	±0.5	±0.8

TITLE:	外形装配图	A4	DRAWER:	
MATERIAL:			CHECKER:	
MODEL:			APPROVER:	
DO NOT SCALE THE DRAWING				

DRAWING NO.: A080314-1

MODEL: HS-RE260-18130(ROHS)

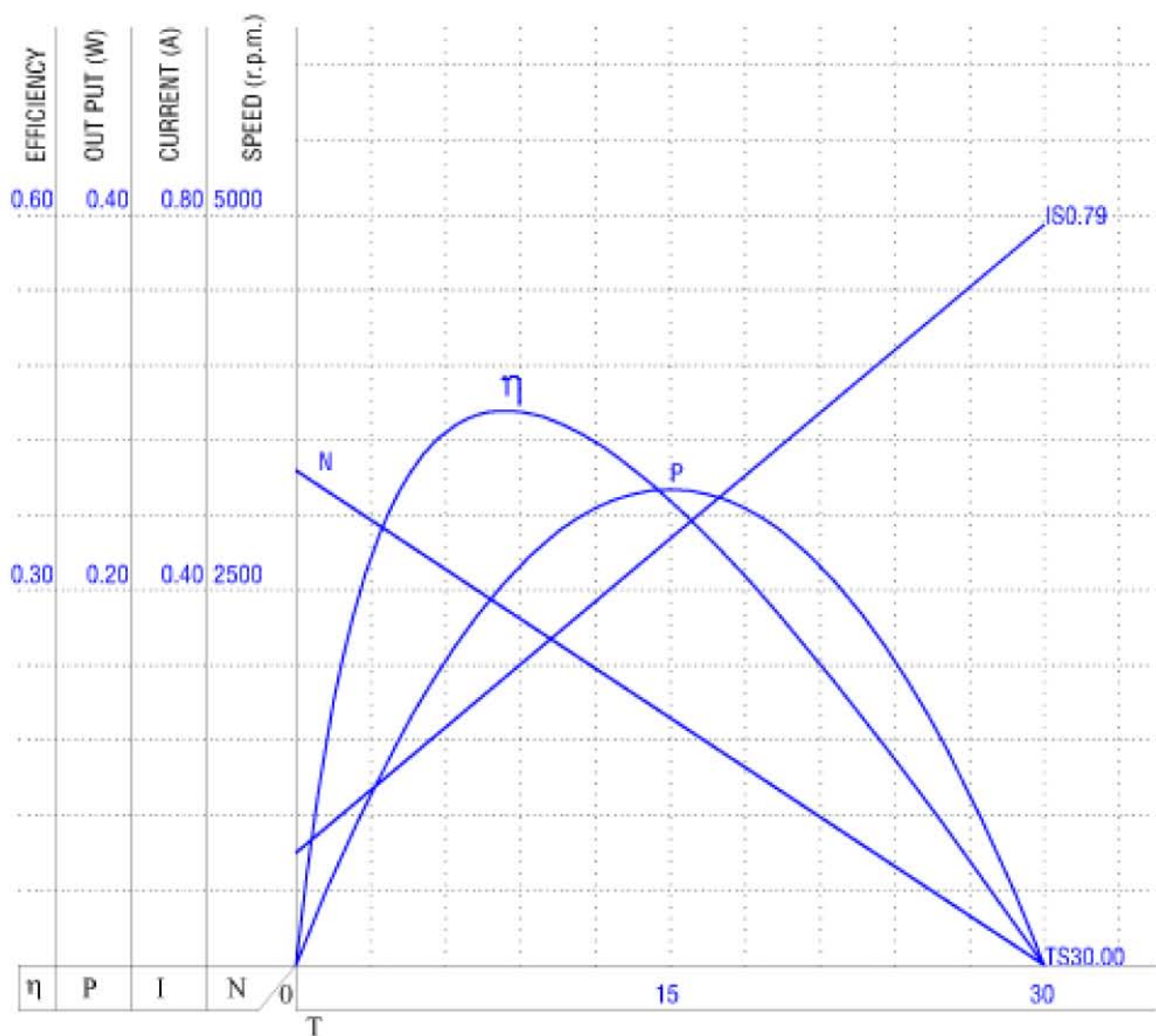
VOLTAGE: 1.50 VDC

LENGTH OF SHAFT (A): 38.0 mm (±0.1)

FRONT EXTENSION (B): 8.6 mm (±0.5)

NOISE: 60 1/2 dBA / inch(Max)

NO LOAD		LOAD EFFICIENCY(APPROX)					STALL	
SPEED (r.p.m.)	CURRENT (A)	SPEED (r.p.m.)	CURRENT (A)	TORQUE (g.cm)	OUT PUT (W)	EFFICIENCY (%)	CURRENT (A)	TORQUE (g.cm)
3300 ±10%	0.12 MAX.	2375	0.30	8.43	0.20	44.36	0.79 MAX.	30.00 MIN.



CUSTOMER	<u>A080314-1</u>	REVISION	<u>A</u>	DATE	<u>2008-03-14</u>
DRAWN BY	<u>杨香红</u>	CHECKED BY		APPROVED BY	