



Traveler™ Series

Portable Electronic Balances



Designed for basic weighing in Educational applications

The OHAUS Traveler™ Series was designed with a unique draftshield that offers weigh-thru capability while being used and 'stackability' when being stored. With the right combination of performance and features, the Traveler is great value for your basic weighing applications.

Standard Features Include:

- **Weigh-Thru Draftshield** – Traveler's unique draftshield was designed with an easy to remove center piece – that provides protection from rough environments while maintaining weighing speed
- **Stackable Draftshield** – Traveler's unique draftshield was designed with storage in mind, and allows the balances to be stacked away when not in use. The draftshield's center piece can also be removed and converts into a weigh boat when turned upside down!
- **USB or RS232 Connectivity** – Traveler was designed with easy-to-install interface options, which provide weight output to an OHAUS printer or PC
- **Battery or AC Power** – Uses 4 "AA" batteries with auto shut-off, or can be run on the included AC powerpack

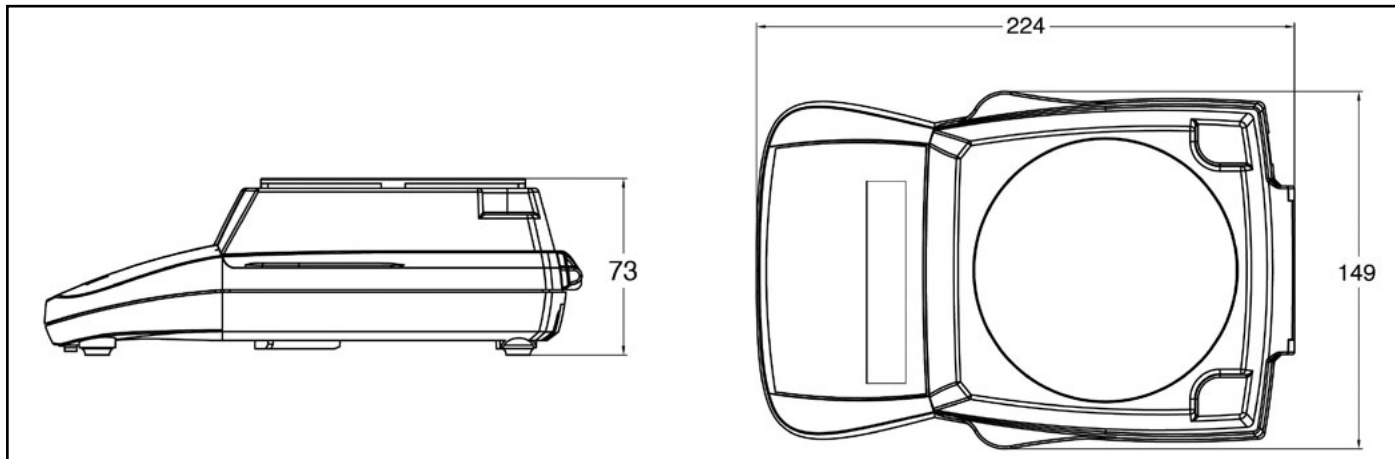
Traveler™ Portable Electronic Balances

Specifications

| Model | TA152* | TA302* | TA502 | TA301* | TA501 | TA1501 | TA3001 | TA5000 |
|-------------------------------|--|------------|------------|------------|------------|--------------|--------------|--------------|
| Capacity (g) | 150 | 300 | 500 | 300 | 500 | 1500 | 3000 | 5000 |
| Readability (g) | 0.01 | | | 0.1 | | | 1 | |
| Linearity | ± 1 d | | | | | | | |
| Repeatability (std. dev.) (g) | 0.01 | 0.01 | 0.01 | 0.1 | 0.1 | 0.1 | 0.1 | 1 |
| Span Mass (g) | 100 | 200 | 300 | 200 | 300 | 1000 | 2000 | 3000 |
| Linearity Mass (g) | 100 150 | 200 300 | 300 500 | 200 300 | 300 500 | 1000 1500 | 2000 3000 | 3000 5000 |
| Weighing Units | Gram, Newton | | | | | | | |
| Tare Range | To capacity by subtraction | | | | | | | |
| Stabilization Time (sec) | < 3 | | | | | | | |
| Pan Size (mm) | 120 dia. | | | | | 120 x 135 | | |
| Display Size W x H (mm) | 84 x 17 | | | | | | | |
| Operating Temperature Range | 50° - 104°F / 10° - 40°C | | | | | | | |
| Power Requirements | AC Adapter (included) or 4 AA Batteries (not included) | | | | | | | |
| Dimensions W x H x D (mm) | 149 x 73 x 224 (to top of draftshield) | | | | | | | |
| Operating Humidity Range | 30%-90% | | | | | | | |

* These models are supplied with span calibration mass

Outline Dimensions



Standard Features

Additional standard features include Grams and Newton weighing units, weigh-below hook, integral transportation lock and calibration lockout, rear security loop, programmable Auto Shut-Off, A/C adapter and calibration mass (*models below 500g only*)

| Optional Accessories | OHAUS Number |
|--|---------------------------------|
| Secondary display with backlight | 80251395 |
| RS232 communication accessory | 72206287 |
| USB communication accessory | 71147377 |
| Calibration masses..... | Contact OHAUS for Full Offering |
| Security device..... | 80850000 or 76288-01 |
| STP103 Thermal Printer - UK | 80251194 |
| STP103 Thermal Printer - EU | 80251993 |
| SRP275-GB Impact Printer..... | 80251989 |
| CBM910 Impact Printer - EU | 80252043 |

Industry Leading Quality and Support

All OHAUS Traveler™ balances are manufactured under an ISO 9001 Registered Quality Management System. Our rugged construction and stringent quality control have been hallmarks of all OHAUS products for over a century.

80774312_A © Copyright Ohaus Corporation

www.ohaus.com

* ISO 9001:2008
Registered Quality Management
System

