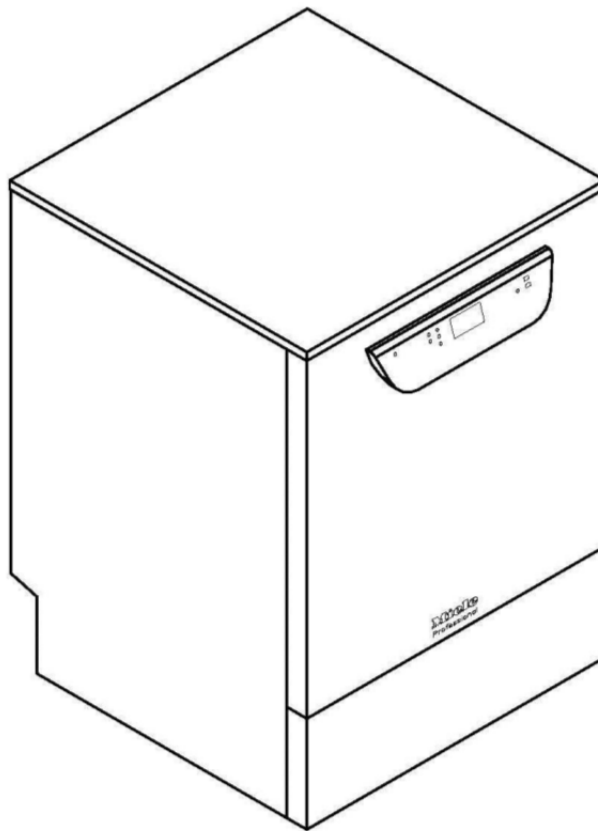


Installation plan:

PG 8504



Mat. no.
Version

10 076 430
01





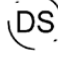
GB, IE, AU, NZ

Legend:

(EL) Circled, bold-type abbreviations:
Connection required

(DS) Abbreviations surrounded by broken circle:
Connection optional or required, depending on model

(EL)	Electrical connection GB, IE	Voltage (standard version) Connected load Fuse rating Connection cable, min. cross-sectional area Length of mains connection cable (H05(07)RN-F) With plug	V/Hz kW A mm ² m	AC 230 V/50 2.4 1 x 13 3 x 1.5 1.8
(EL)	Electrical connection AU, NZ	Voltage (standard version) Connected load Fuse rating Connection cable, min. cross-sectional area Length of mains connection cable (H05(07)RN-F) With plug	V/Hz kW A mm ² m	AC 230 V/50 3.2 1 x 15-16 3 x 1.5 1.9
		We recommend connecting the washer-disinfector to the electrical supply via a plug and socket so that electrical safety checks can be carried out easily. The plug and socket must be easily accessible after installation. A hard-wired connection is possible. It must be made in accordance with local and national safety regulations: - IEE (IET) Wiring regulations BS 7671: 2008 (for GB and IE) - AS / NZS Wiring Rules 3000 (for AU and NZ) Splash protection class IP 21		
(PA)	Equipotential bonding and protective earth conductor	There is a screw connection point at the back of the washer-disinfector, to which equipotential bonding can be connected if required. Connect equipotential bonding and protective earth conductor!		

 Cold water or  Hot water		Maximum temperature CW / HW Max. water hardness Minimum flow pressure Minimum flow pressure with extended water intake CW / HW Maximum pressure Flow rate On-site threaded union in accordance with (flat seal): DIN 44991 AS 3688 (for AU and NZ) Length of cold or hot water inlet hose Connection to a drinking water supply in the UK requires the installation of an additional WRAS approved non-return device. For Australia and New Zealand: This machine must be connected to the potable water supply via the non-return valve (dual check valve) supplied with the machine.	°C mmol/l °dH kPa kPa kPa l/min Inch m	20 / 65 12.6 70 200 100 / 40 1,000 7.5 3/4" male thread Approx. 1.7
 Demineralised water depending on version		Maximum temperature Minimum flow pressure (AD pressure resistant) Minimum flow pressure with extended water intake Maximum pressure (AD pressure resistant) Flow rate On-site threaded union in accordance with (flat seal): DIN 44991 AS 3688 (for AU and NZ) Length of demin. water inlet hose For Great Britain and Ireland: Connection to a drinking water supply requires the installation of an additional WRAS approved non-return device. For Australia and New Zealand: The demineralised water supply system must meet local and national regulations and include a backflow prevention device at first point on entry when connected to potable water. Models with feed pump for unpressurised demineralised water (ADP) Minimum flow pressure (AD unpressurised) Maximum pressure (AD unpressurised) Machine connection nipple (outer dia. x l) Hose from supply container to machine to be fitted on site	°C kPa kPa kPa l/min Inch m kPa kPa mm	65 140 30 1,000 7.5 3/4" male thread Approx. 1.7 8.5 60 6 x 30
 Waste water		Length of drain hose Max. drain hose extension Max. drain pump head height from base of machine Max. transient flow rate On-site sleeve for drain hose (dia. x length) It is advisable to lay the drain hose in a curve min. 600 mm above floor level to the drainage point.	m m m l/min mm	Approx. 1.5 Approx. 4.0 1.0 16 22 x 30
 External dispensing (optional)		Connection for a dispensing unit for liquid agents on the back panel		

	Machine feet	Height-adjustable Machine foot diameter Machine foot socket	mm mm M	-0/+60 35 8
	Heat dissipation rate to installation site	Heat dissipation through heat radiation Load heat dissipation on removal	kWh/h kWh/h	0.35 0.40
	Machine data	Undercounter height Height incl. lid Width Depth Door height Net weight Floor load in operation Min. access width, incl. transport pallet Min. access depth incl. transport pallet Min. access height, incl. transport pallet	mm mm mm mm mm kg N mm mm mm	820 835 598 598 622 74 1,200 670 740 920
	Installation conditions	Permissible ambient temperature Maximum relative humidity Max. installation above sea level	°C % M	5-40 80 1,500

It is essential to observe the installation instructions when installing the washer-disinfector.

In order to reduce the risk of steam damage, the area around the washer-disinfector should be limited to furniture and fittings that are designed for use in commercial environments.

Installation should only be performed by qualified fitters in accordance with valid regulations, relevant standards and health and safety codes!

All rights reserved! Measurements in mm

