

**callero**  
Storage with style.

Gratnells LLC  
4500 140th Avenue North  
Suite 101  
Clearwater  
FL 33762  
USA  
1-727 325 2904  
mail@learning-rooms.com  
www.gratnells.com

Gratnells Ltd  
8 Howard Way  
Harlow  
Essex  
CM20 2SU  
UK  
+44 1279 401 550  
customerservice@gratnells.co.uk  
www.gratnells.com

**Gratnells**

**callero**  
Storage with style.

## Flat Shelf Unit Instruction Manual

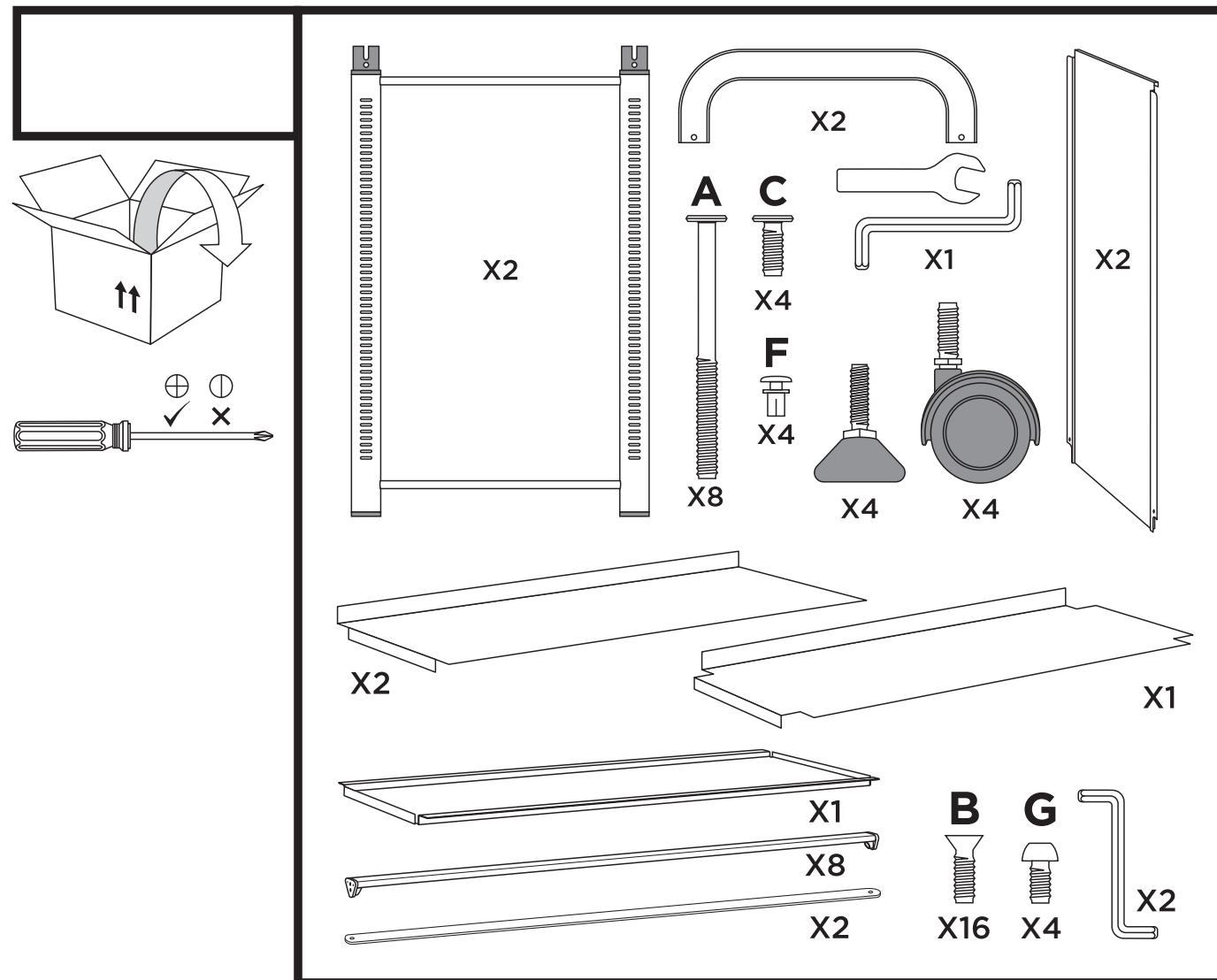
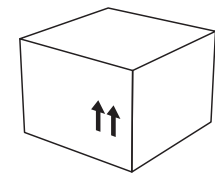


# callero

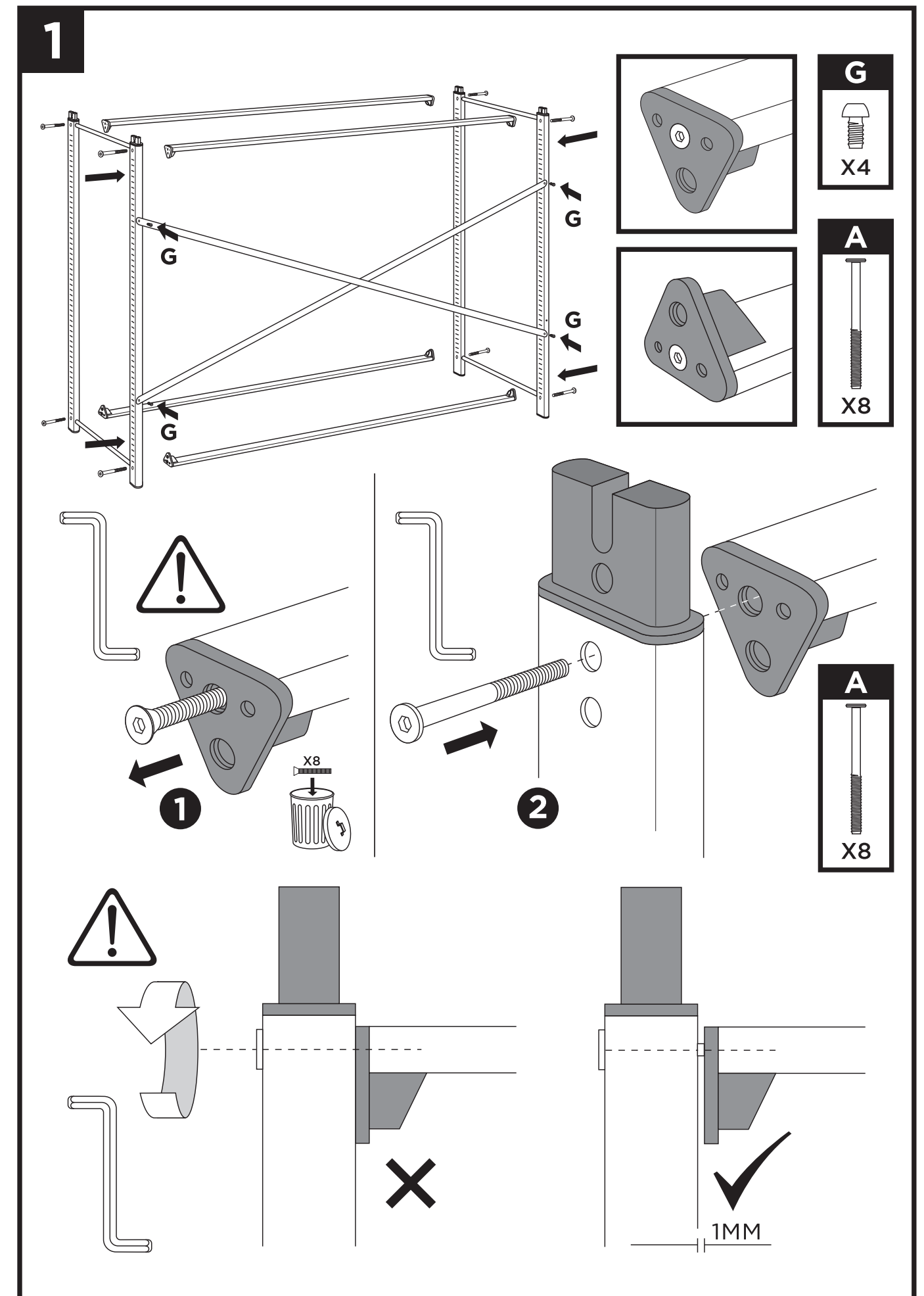
Storage with style.

## Flat Shelf Unit

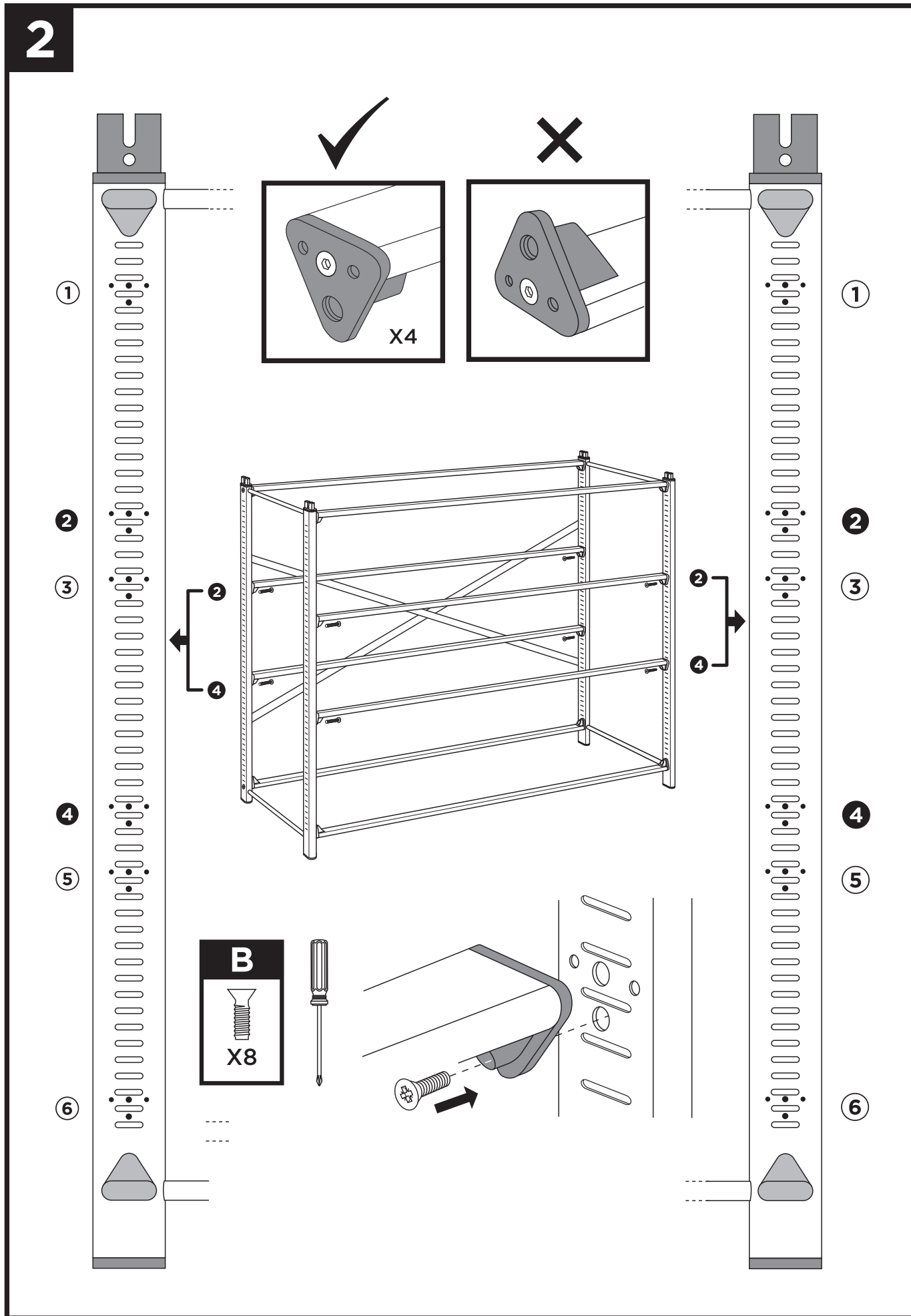
Dimensions: 1030(H) x 1025(W) x 435mm(D).



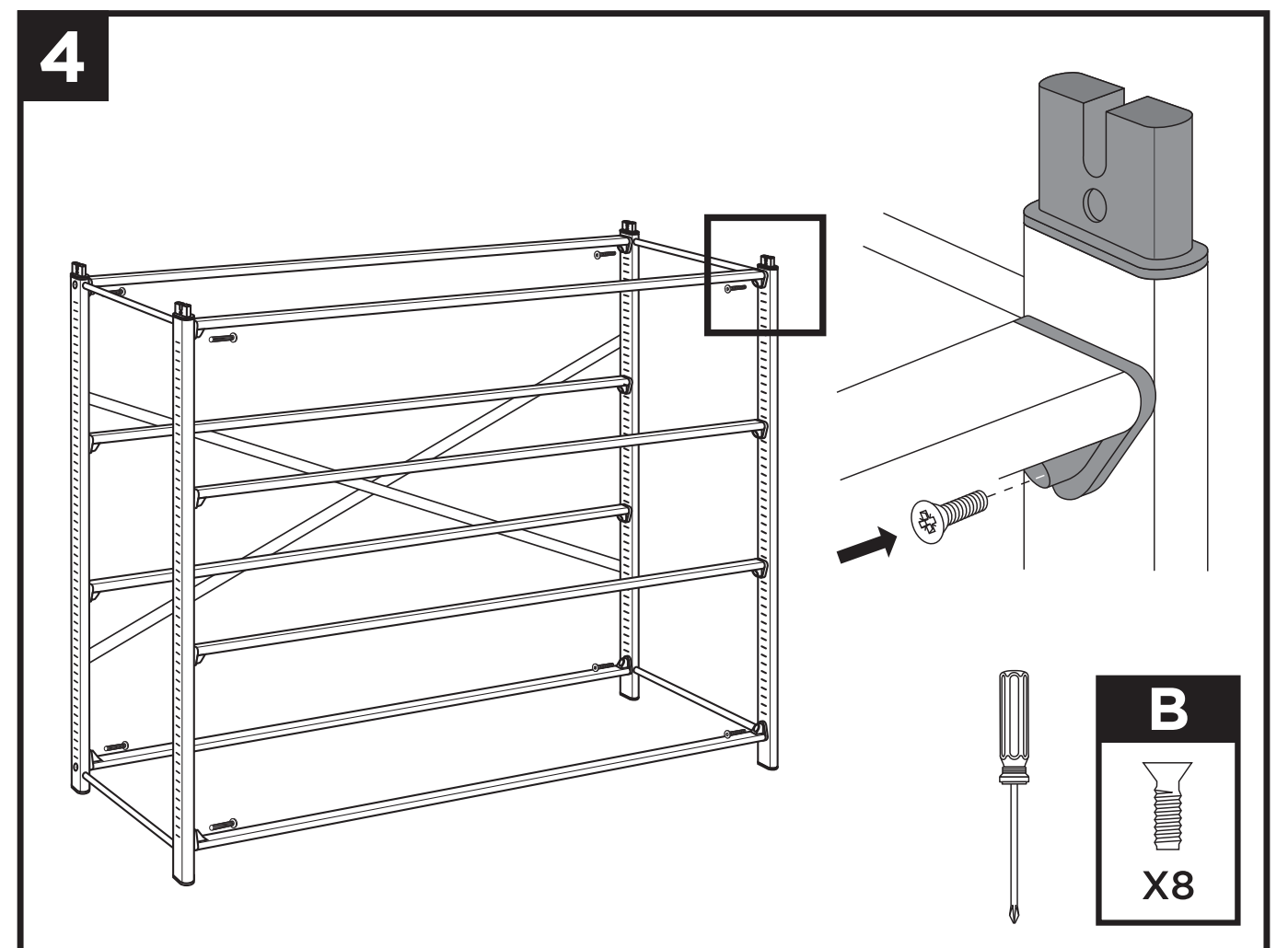
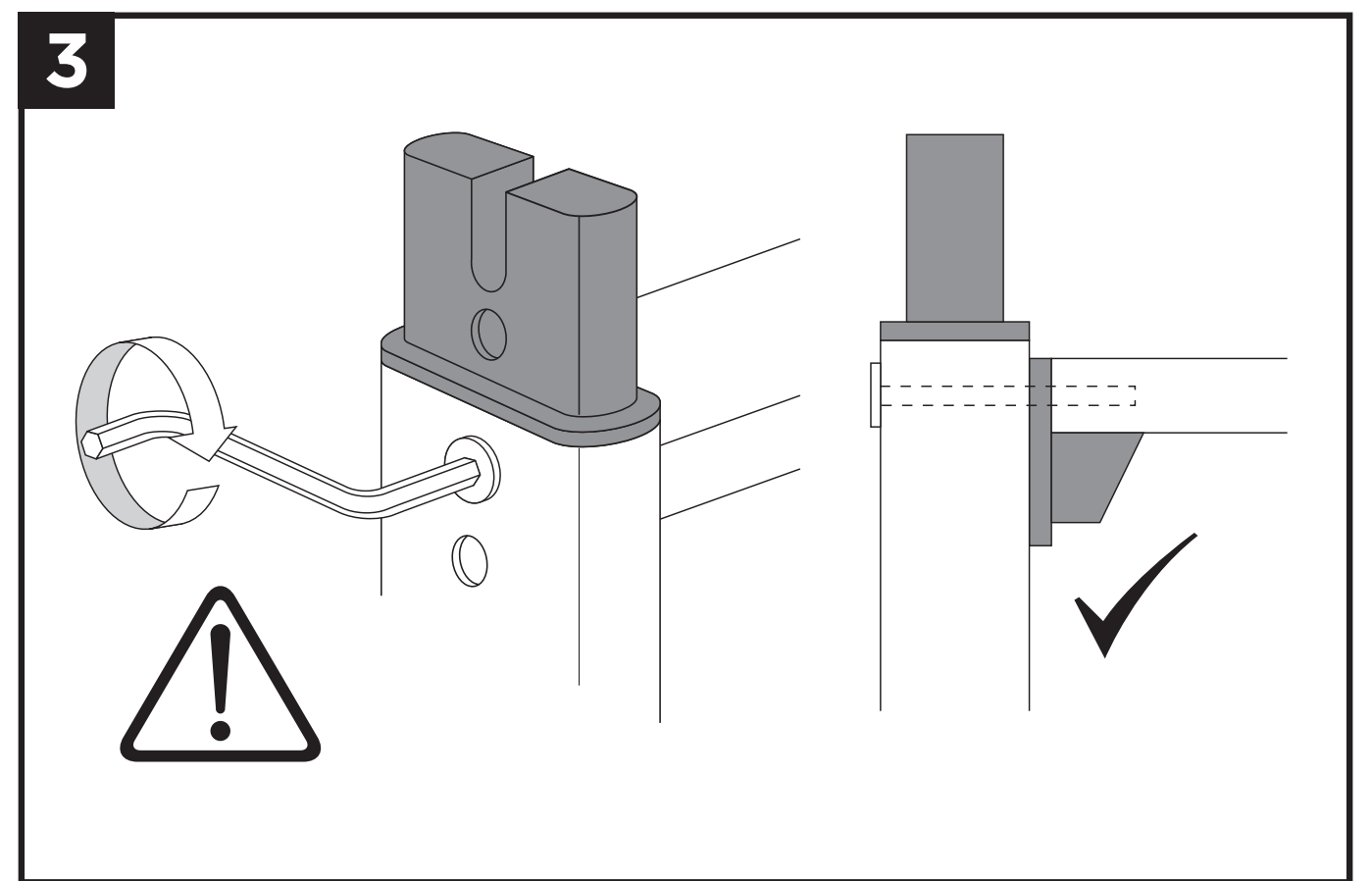
2



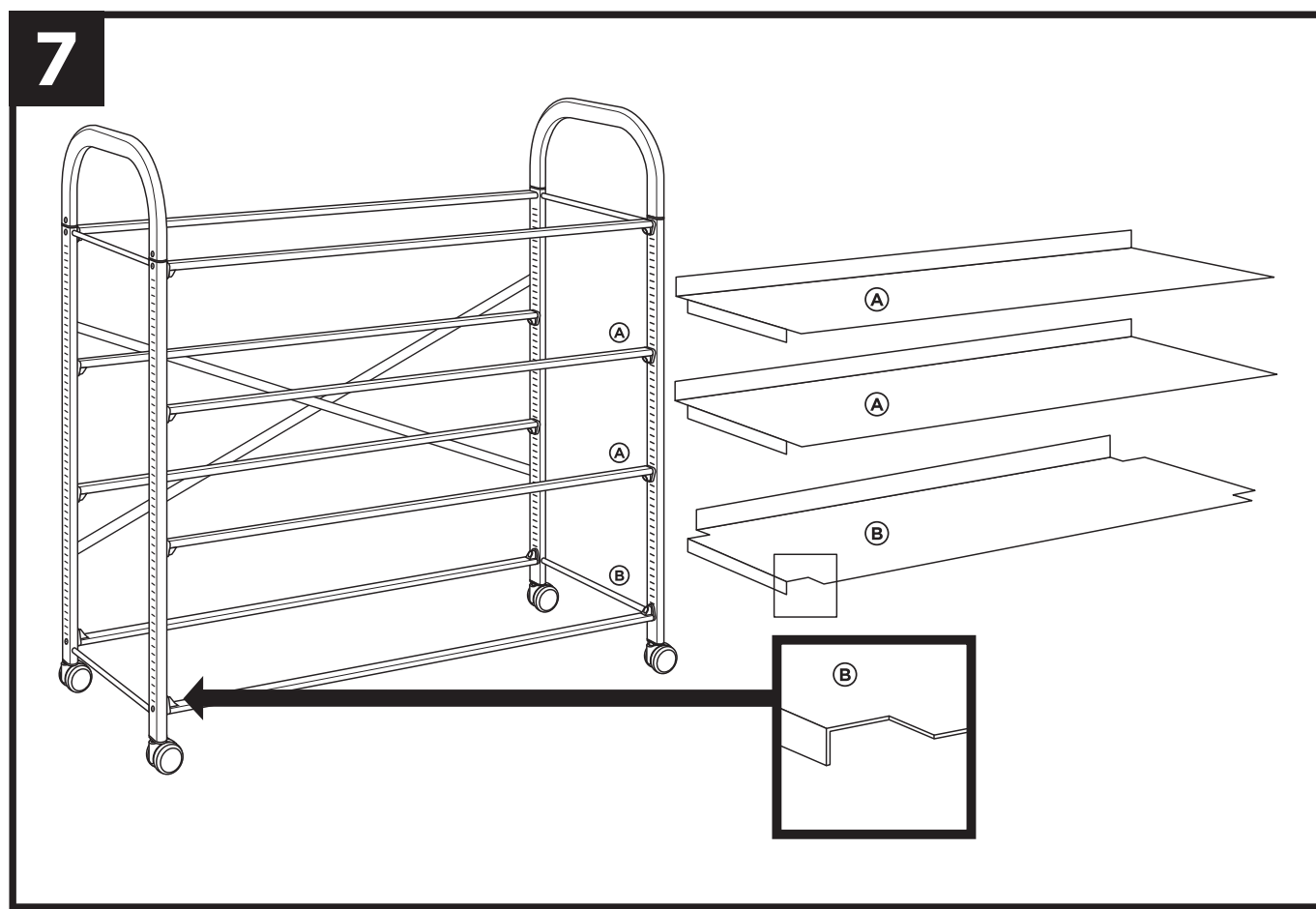
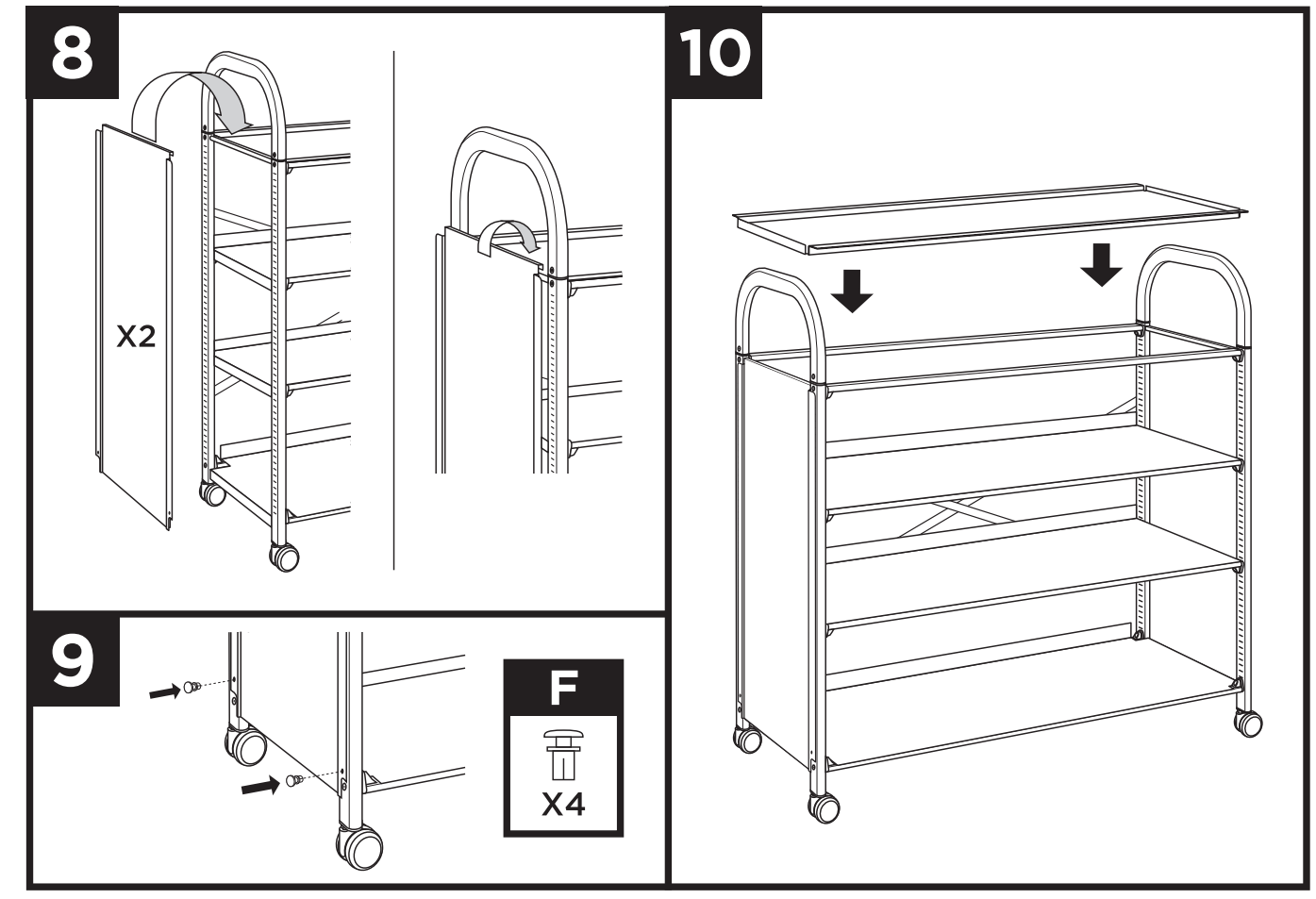
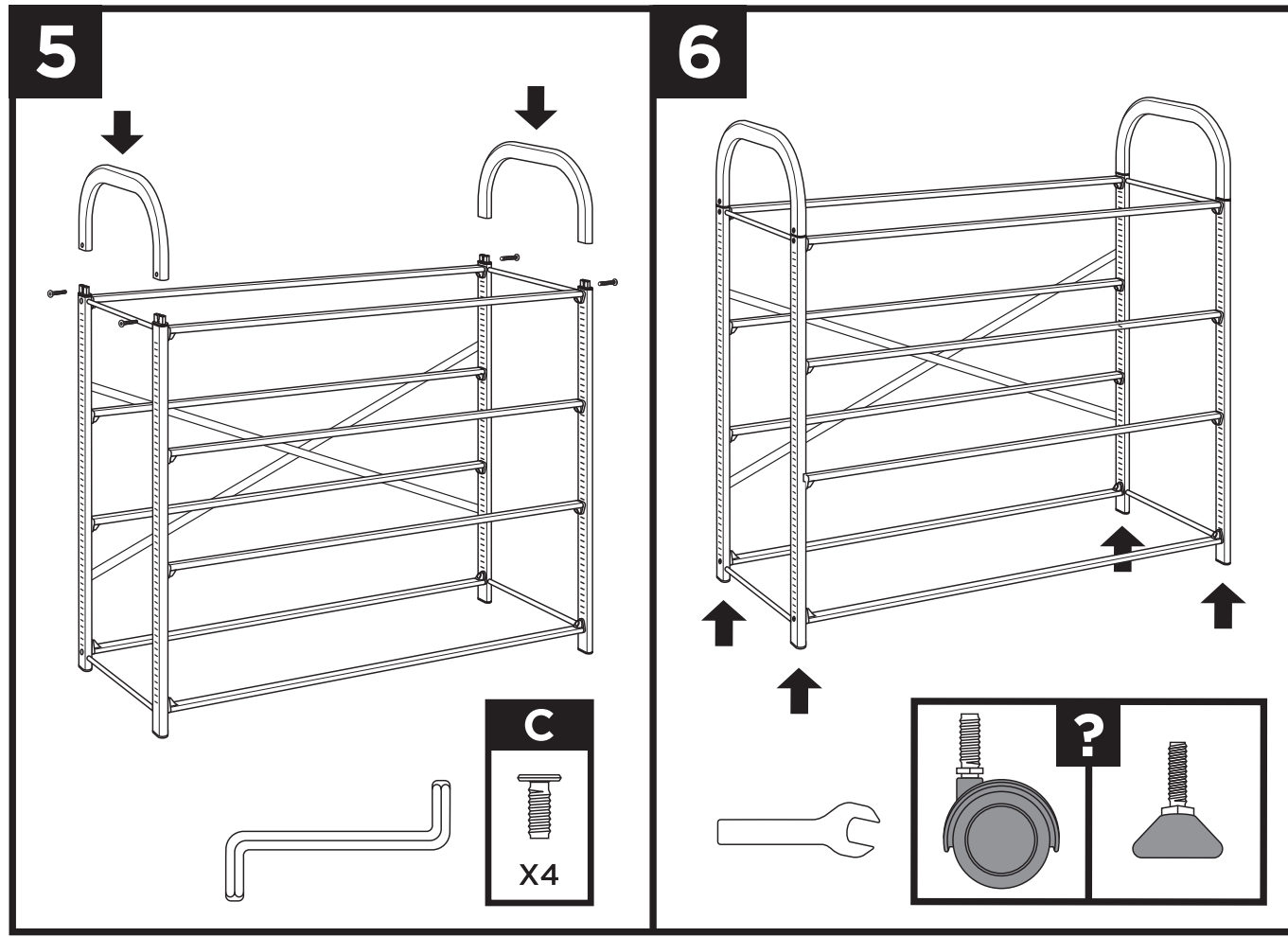
3

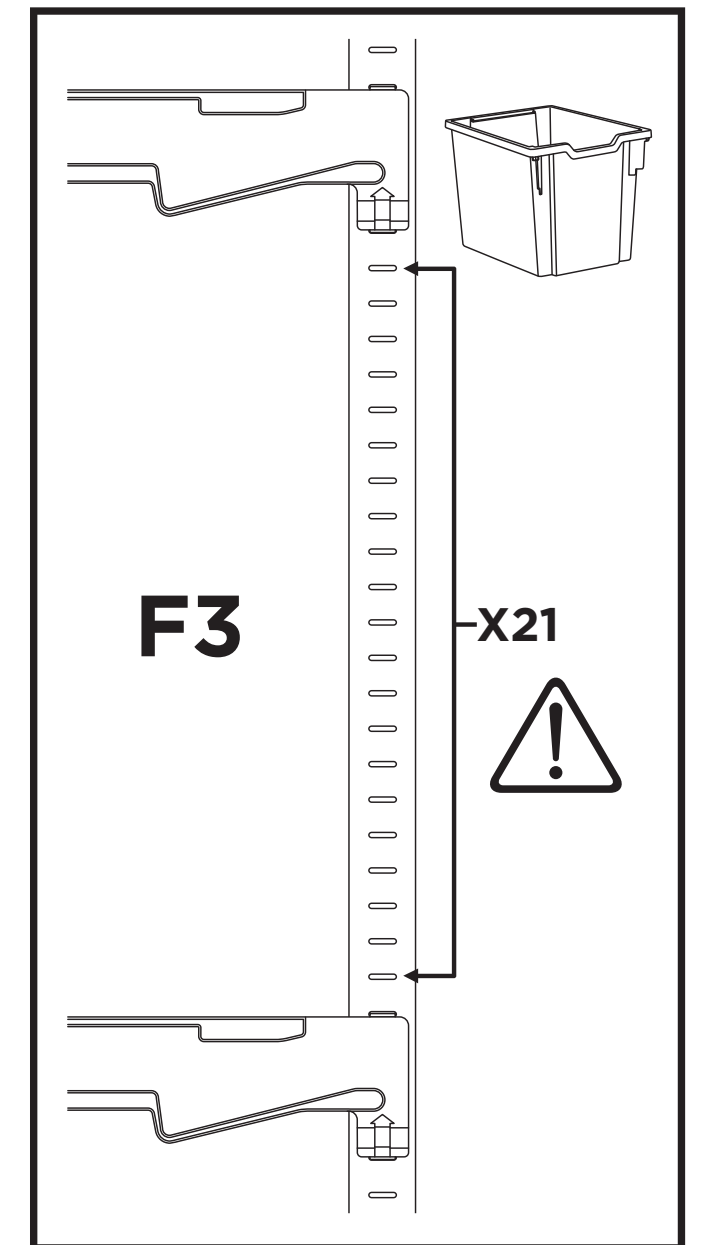
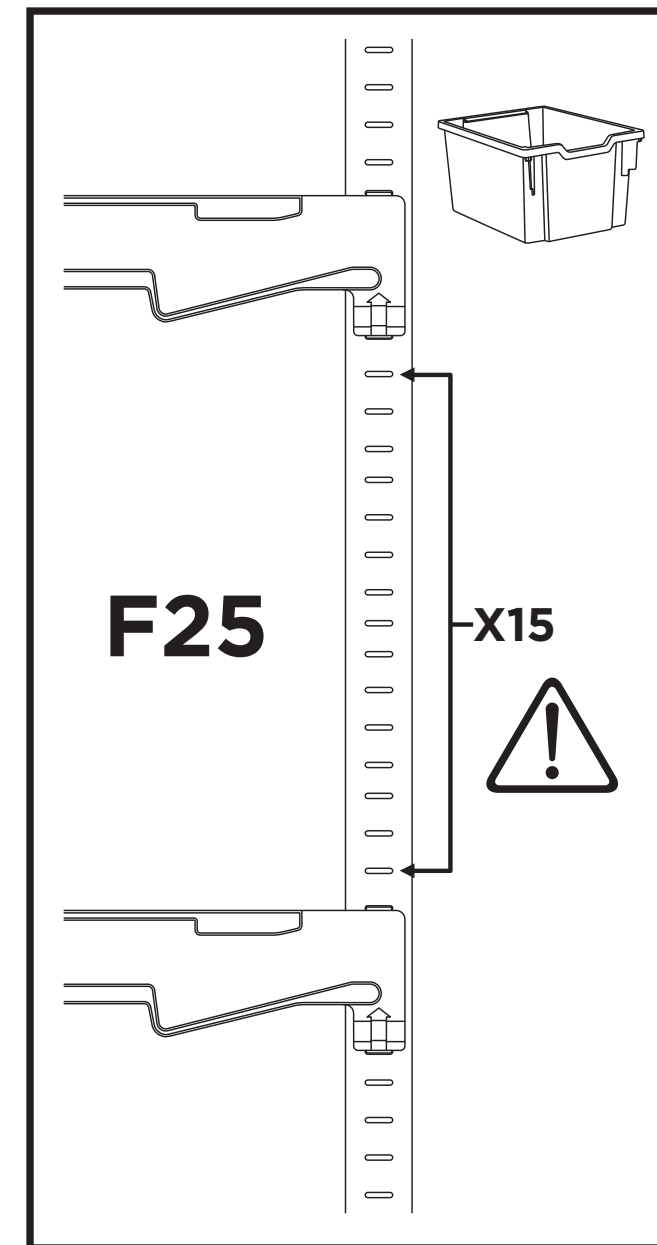
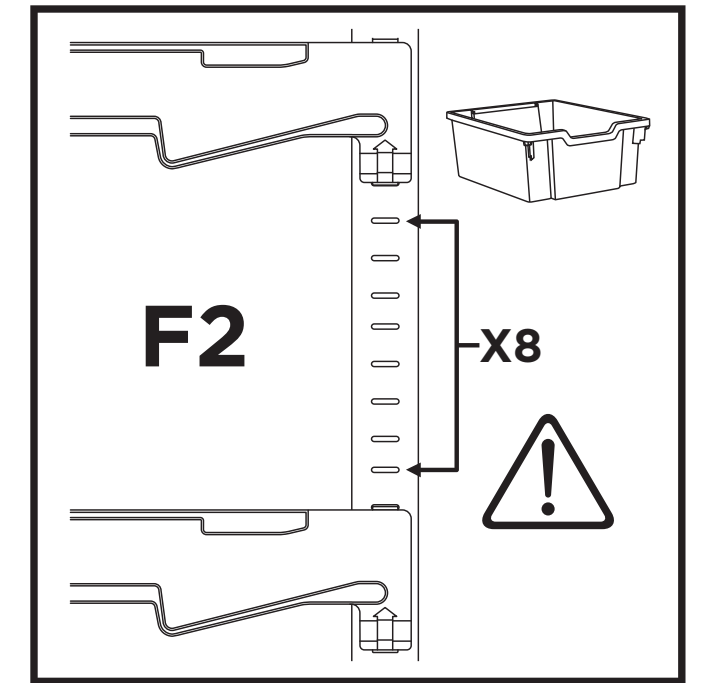
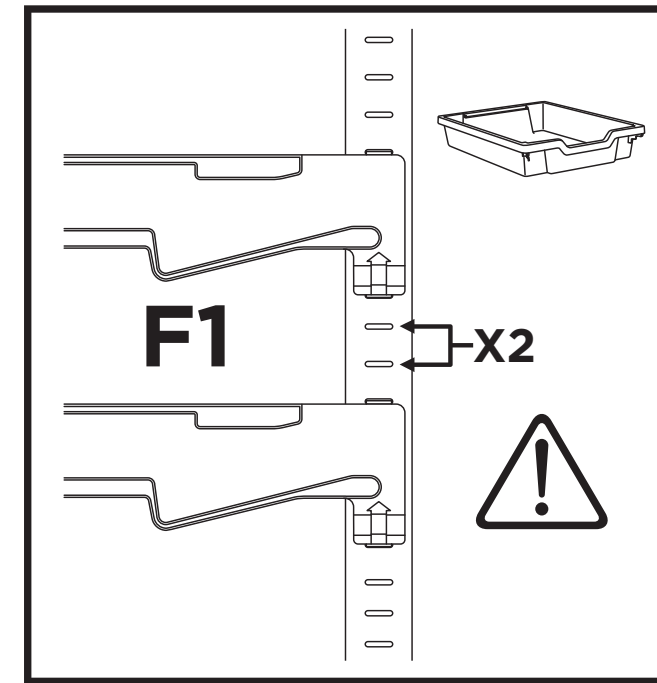
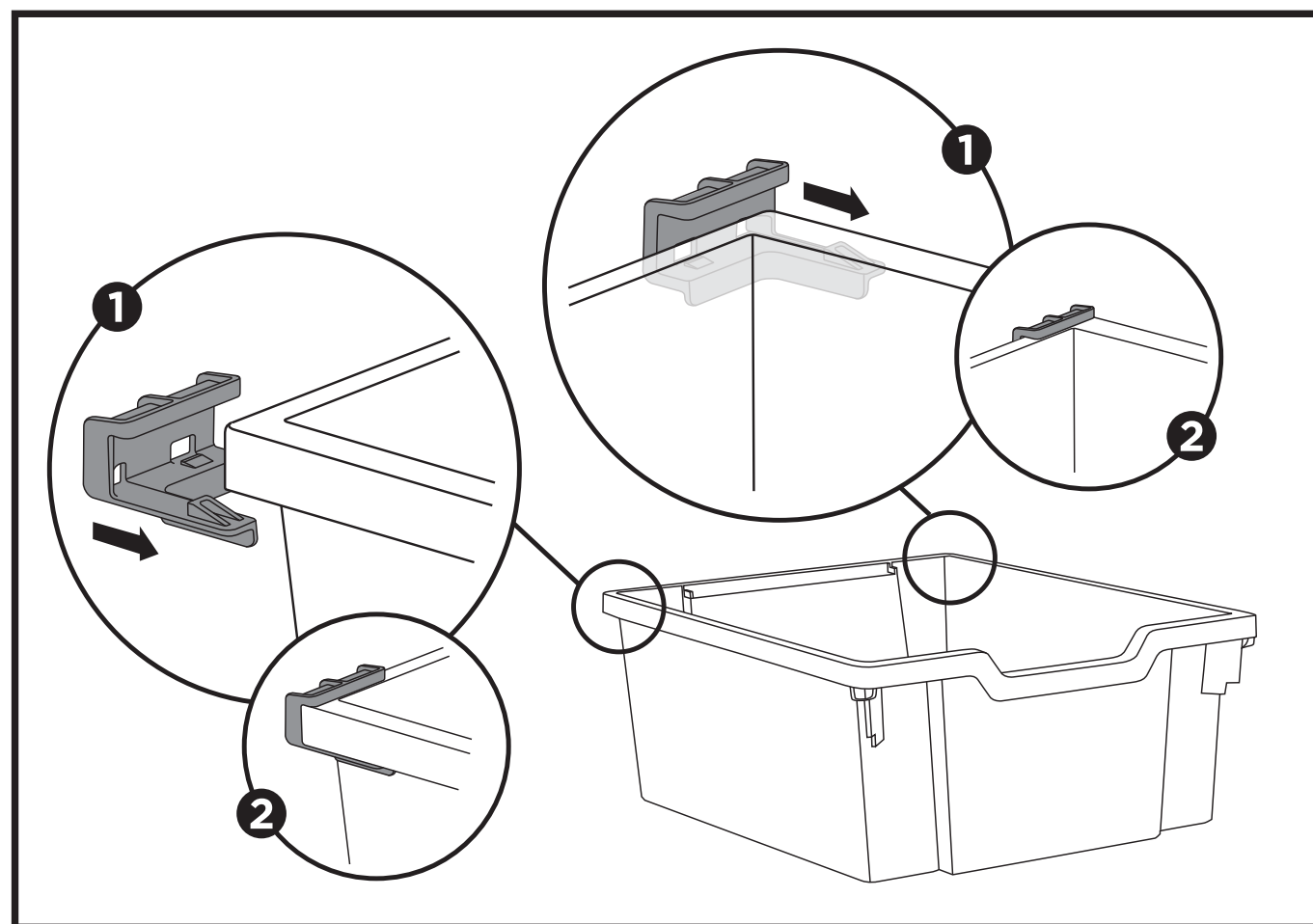
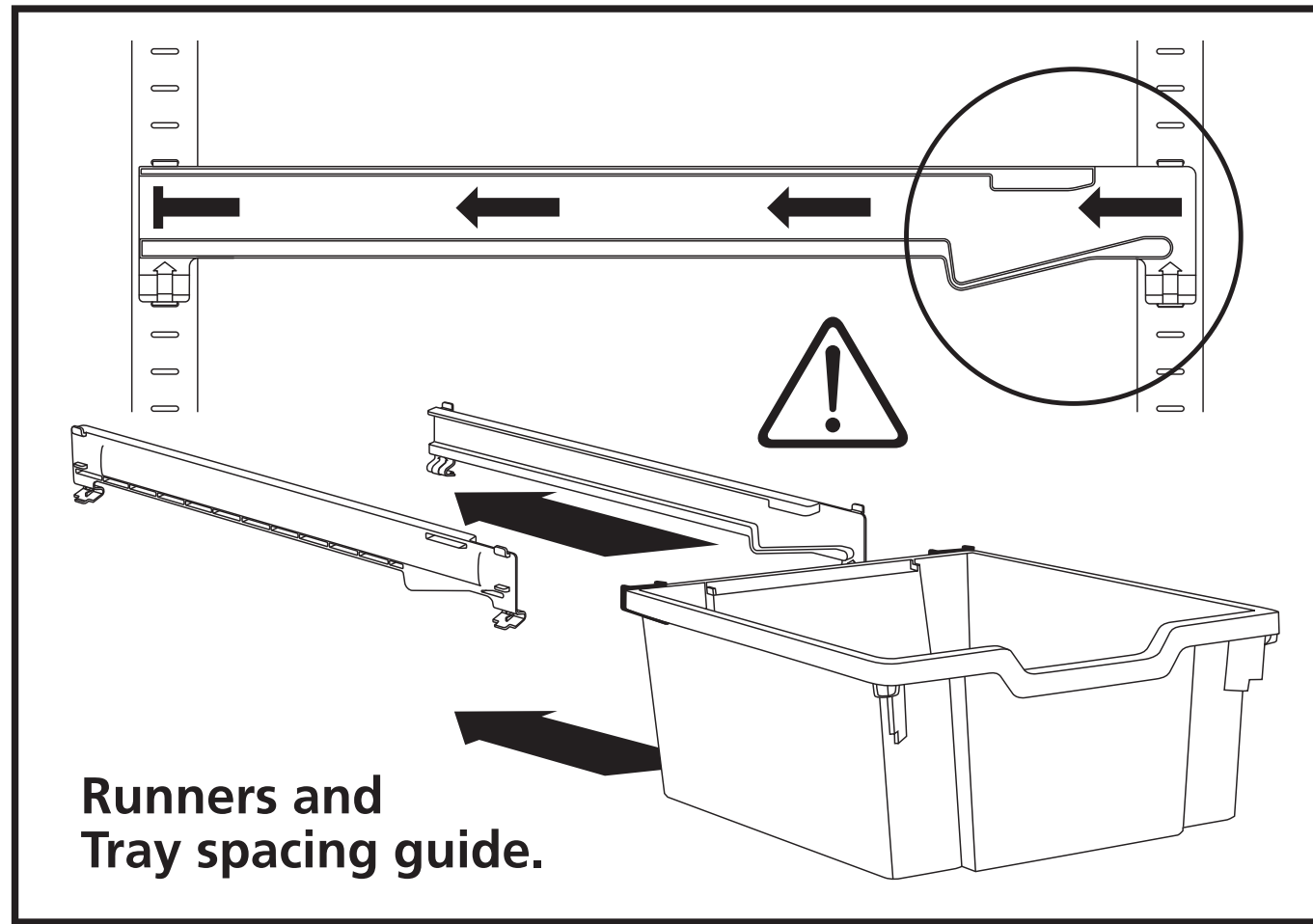


4



5





# callero

Storage with style.



# callero

Storage with style.

