



## 3M™ Jupiter™ Powered Air Turbo Unit

To maintain protection levels, optimise the effective lifetime of the system and avoid the additional cost of replacement, it is extremely important to carry out regular checks and maintenance.

### ► Before Use

- Ensure Battery is fully charged.
- Ensure Turbo is undamaged.
- Ensure Turbo is correctly secured to its belt.
- Ensure Filters are correctly fitted.
- Perform airflow check – insert Airflow Indicator Tube (white ball) into the turbo outlet, switch on, ensure ball rises above the line. If the ball does not rise above the line replace the filters.

### ► Monthly

- Carry out all the 'Before Use' inspections and create record of this monthly check for the regulator.
- Calibrate turbo as per guidance box to right.

### ► After Use

- Clean with cloth dampened with a mild solution of water and liquid household soap.
- Disinfect with 3M 105 Wipes.
- Charge battery.
- Store in a dry, clean area / locker away from direct sunlight, high temperatures and solvents.

### ► Every Filter Change

- Ensure Filter Gaskets are undamaged and correctly fitted.
- Always replace Filters as a pair and ensure you feel them click into place.

### ► Additional Checks for IS Kit

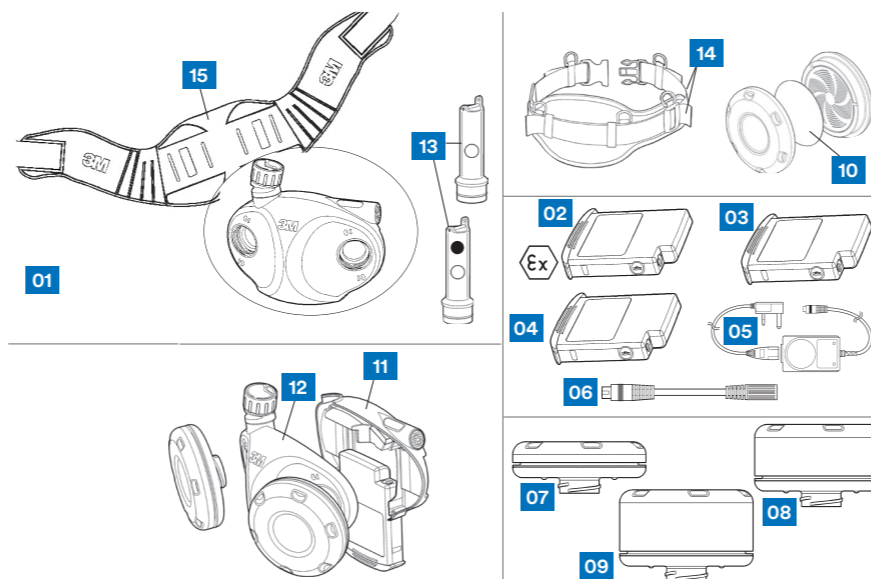
- Ensure 3M Jupiter IS Pouch is undamaged – inspect for holes and split seams.
- Ensure 3M Jupiter IS Pouch is correctly folded and sealed.

### ► Ordering Consumables, Repair Parts and Accessories

To request a quote or place an order for these items, please contact your 3M Approved Distributor.

### ► Further Information and Advice

If you require additional guidance on the Care and Maintenance of your 3M Powered and Supplied Air Equipment, please contact the Helpline or your local 3M representative.



| Description  | Part N°        |
|--|----------------|
| Jupiter Powered Air Turbo Kit contains a standard Jupiter Powered Turbo Unit, a pair of Organic Vapour and Particulate (A2P) filters, Pre-filters, Lightweight Breathing Tube, 8hr Rechargeable Battery (NiMH) and a Battery Charger | RTUJUPITER     |
| 01 Jupiter Turbo Unit (includes BLT-12 belt, calibration tube and airflow indicator tube)  | 085-00-10P     |
| 02 Jupiter Intrinsically Safe (IS) Battery and Pouch Kit   | 085-12-00P     |
| 03 4 hour battery  | 007-00-63P     |
| 04 8 hour battery  | 007-00-64P     |
| 05 Intelligent charger – single station (for use with, 007-00-62P, 007-00-63P and 007-00-64P)  | CHG-02         |
| 06 Standard charger  | 003-00-56P     |
| 07 Particulates P filters  | 450-00-25P2x12 |
| 08 A2P filters   | 453-00-25P2x6  |
| 08 ABE1P filters   | 453-09-25P2x6  |
| 09 A2BEK1P filters   | 453-09-25P2x6  |
| 10 Pre-filter pads   | 461-00-02P24x5 |
| 11 Control module  | 085-06-10P     |
| 12 Blower module (plus spare filter gaskets)   | 085-01-00P     |
| 13 Calibration tube and airflow indicator tube   | 021-14-12P     |
| 14 Comfort belt  | 022-25-03P4    |
| 15 Decontamination comfort belt (incl. 1 x BLT-14 and BLT-16)  | BLT-12         |
| Jupiter IO Station Intelligent Charger   | 003-00-59P     |
| Jupiter IS Pouch   | 085-11-00P     |
| Braces   | TR-329         |

The powered air turbo for protection against gas and vapour and/or particulates. The 3M Jupiter connects to a wide range of hoods, visors, helmets and welding shields to suit most industrial applications.

@3M\_UK\_Safety

### 3M Health & Safety Helpline

Monday - Friday 9 to 5

0870 60 800 60 - UK  
1 800 320 500 - IRELAND

3M Personal Safety Division  
3M United Kingdom plc  
3M Centre, Cain Road  
Bracknell, Berkshire RG12 8HT  
United Kingdom  
Tel: 0870 60 800 60  
www.3M.co.uk/safety

3M Ireland Limited  
The Iveagh Building  
The Park  
Carrickmines  
Dublin 18  
Tel: 1 800 320 500

Please recycle. Printed in UK.  
3M is trademark of the 3M company.  
© 3M 2015. All rights reserved.  
J308790

Replace all damaged parts immediately to ensure correct levels of protection.



CHJUPITERCMP  
To download this poster please visit:  
[www.3M.co.uk/maintenancepack](http://www.3M.co.uk/maintenancepack) or scan the QR code.

For more information on all our products, call 3M Personal Safety Division on 0870 60 800 60 (UK) and 1800 320 500 (Ireland) or visit [www.3M.co.uk/safety](http://www.3M.co.uk/safety)

### ► Calibration

- Ensure the battery is fully charged. Remove Filters and insert Calibration Tube (black ball) into the turbo outlet.
- Hold turbo with the line on the tube at eye level.
- Press and hold the switch. After approximately 3 seconds the turbo will beep and enter calibration mode.
- The ball will drop to the bottom of the tube. As the fan speed increases, the ball will begin to rise.
- Release the switch when the bottom of the ball is on the line.

