

1. Wind Up Tape Measure

Perfect for long distance measuring, fibreglass with winding handle. 50m.

Code	Pack	Price
RUL1500	Each	£19.15



2. Tape Measure 5m

Tape 5m/16ft, 19mm width. Expert quality, in tough impact-resistant chrome-plated ABS case. Blade lock and belt clip. Power return blade, steel.

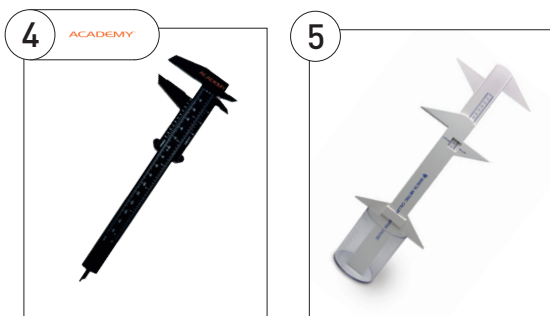
Code	Pack	Price
RUL1102	Each	£6.00



3. Litre Set

Set of five different shaped containers: 1L low form cylinder, 1L cube, 1L rectangle, 1L tall form cylinder and a 0.5L tall form cylinder. Each is clearly marked with incremental graduations so that smaller volumes can be measured.

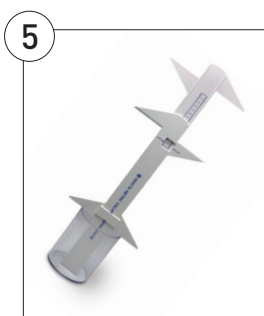
Code	Pack	Price
SEB1066	Each	£17.40



4. Academy Callipers

Plastic callipers, 150mm.

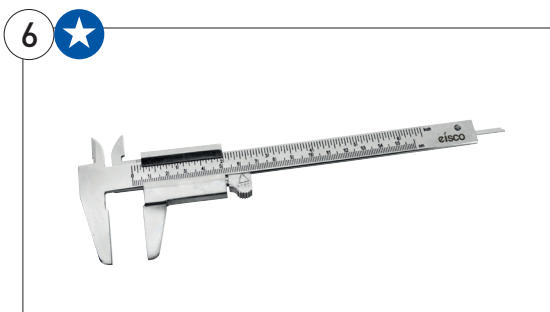
Code	Description	Pack	Price
RU1000	Black	Each	£2.00
RU1002	White	Each	£2.00
RU1004	Digital display	Each	£8.99



5. Metric Callipers

The metric calliper can be used to measure the depth, width and thickness of most shapes from 1mm to 30cm, by simply reading measurements through a single viewing window. Designed for calculating areas and volumes.

Code	Pack	Price
SEB1075	Each	£7.59



6. Vernier Calliper Gauge

IME type, improved design, plated steel with dual scale, 0 - 15cm x 0.1mm and $6 \times \frac{1}{128}$ inches. With thumb movement for easy motion of jaws, supplied in a plastic case.

Code	Pack	Price
★ P80N	Each	£6.38